



---

**PORTABLE ELECTRONIC THERMOMETER**

---

**PET-250.1**

***IN PROCESS TO EXCELLENCE***

# PET-250.1 OVERVIEW



## For Easy Distinguish:

Displays Time of measurement



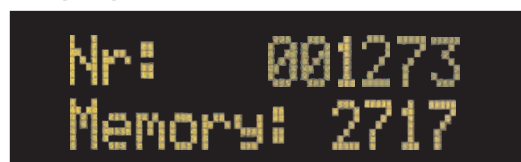
Displays Date of measurement

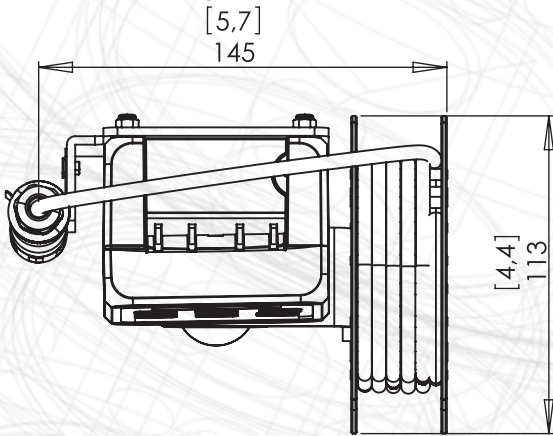
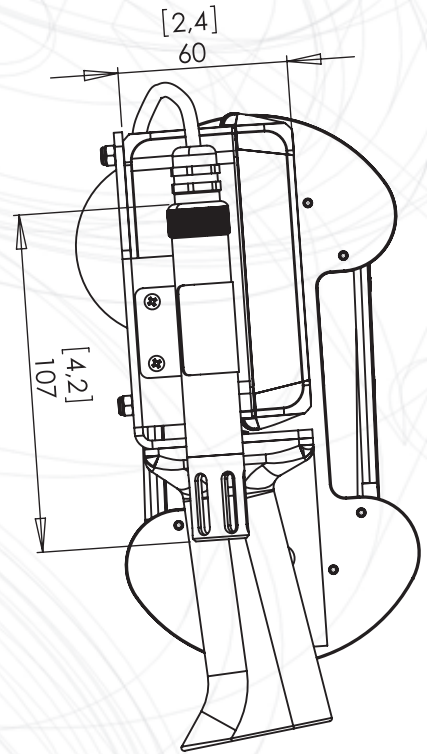
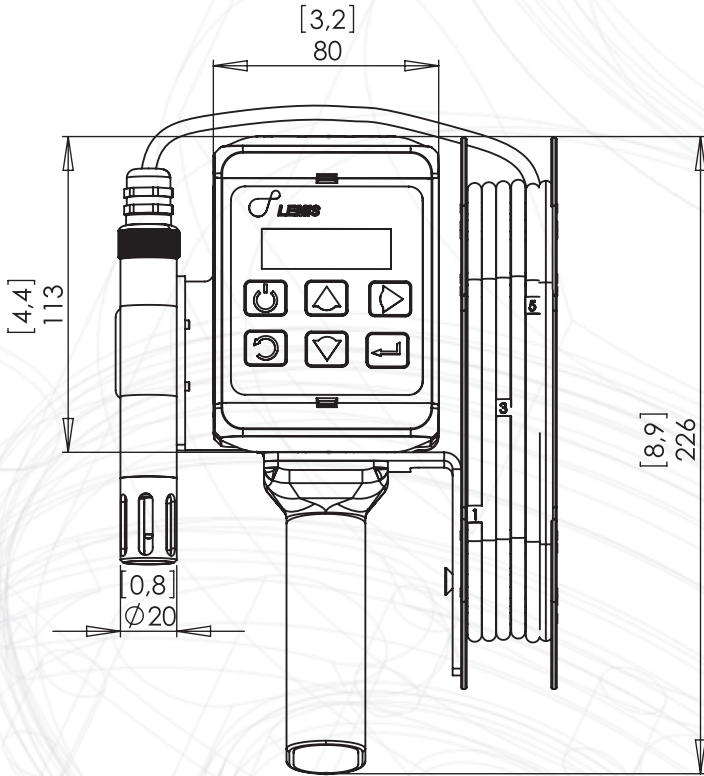


Displays Interface Level and Tank Nr



Displays Probe Nr and available memory





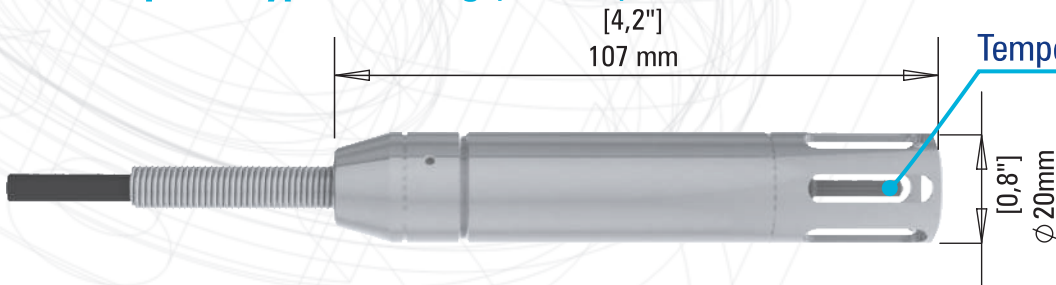
**Cable replacement without recalibration**

PET-250.1 use 4-cores technology, which remove necessity of cable conductivity changes from temperature compensation.

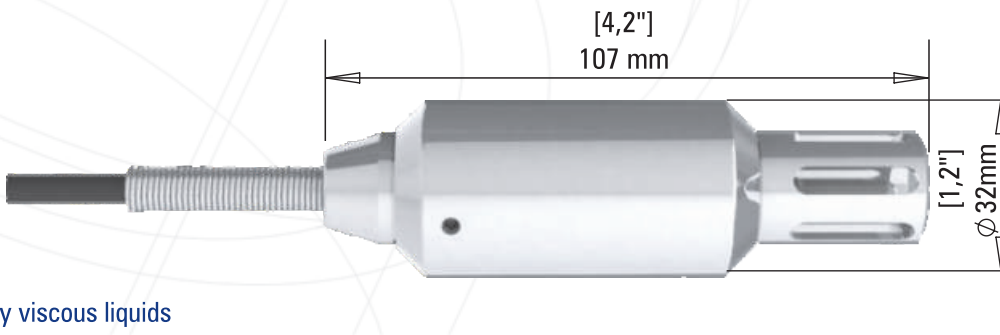
Operator can provide cable replacement without needs of new probe recalibration.

**Extra weight probe - 0.22 kg (0.48 lb) \***

**Standard probe type - 0.13 kg (0.28 lb)**



**Extra or Asphalt Weight probe - 0.35 kg (0.77 lb) \***



\* for highly viscous liquids

# Specifications

## Measuring range:

Probe temperature range	-40... +200°C (-40... +392°F)
Ambient temperature range	-40... +50°C (-40... +122°F)

## Accuracy:

Temperature (-40 to +130°C)	±0.1°C (±0.2°F)
-----------------------------	-----------------

## Repeatability (exceed API MPMS Chapter 7):

Temperature (-40°C to +50°C)	±0.05°C (±0.2°F)
------------------------------	------------------

## Resolution:

Temperature	0.1°C(0.2°F) or 0.01°C (0.02°F)
Temperature scale:	°C or °F selectable

## Cable

Material	FEP Teflon jacket or PTFE
Cable length	6m /20 ft or 15m /50 ft
Markers	every 2,5 ft in imperial measurement system every 1 m in metric measurement system

## Sensor:

Temperature sensor	PT-1000 element Class A
Material	Stainless steel SS 304

## Electronic box:

Material	Antistatic Polyamide base
Power supply	NiMH 3.6V-2500 mAh rechargeable battery
Operating time without charging	Appr. 40 hours

## Dimensions:

Controller	225 x 148 x 136 mm (8.8 x 5.8 x 5.3")
Probe	107 x ø20 mm (4.2 x ø0.8")

## Intrinsically safe:

Controller	ATEX II (2G) EEx ib [ia] IIB T4
Probe	ATEX II 1G EEx ia IIB T4

Weather rating	IP 67
----------------	-------

Data handling	OLED Display (2x12) with backlight Local memory up to 3000 results
---------------	---

Data Transfer	Built-in Bluetooth
---------------	--------------------

## Advantages

- Multi-parameters save :
  - temperature
  - depth
  - date
  - time
- Fast measurements without sampling
- Economical and easy to operate
- Cable 4-cores technology
- Crash-proof design
- Temperature Profile

## Applications

- Recommended Operation: API 7, Intl. Safety Guide For Oil Tankers and Terminals
- Gasoline fuel
- Diesel fuel
- Crude oils
- Lubricants etc.
- Custody Transfers
- Inventory Tank

## Certifications:



## \* Option



Multifunctional software allows to proceed the measurements results in use-convenient form;  
Compatible for a Windows 7/8/10\*



Immediate printout of the measurements by Bluetooth  
No need for PC\*



Delivered in compact carrying case

**For more information please visit [www.lemis-process.com](http://www.lemis-process.com)**



**USA**  
**LEMIS USA, Inc.**  
15556 Summit Park Dr. Suite 601  
Montgomery  
TX 77356, USA  
Ph.: +1 281 465 8441

**EUROPE**  
**AS LEMIS Baltic**  
26 Ganību dambis  
Rīga, LV-1005  
Latvia, EU  
Ph.: +371 6738 3223  
Fax: +371 6738 3270

**INDIA**  
**LEMIS India PVT LTD**  
504, Bhumiraj Costarica, 5th floor  
Plot 1&2, Sector 18, Sanpada  
Navi Mumbai-400705, INDIA  
Ph.: +91 22 6721 5655  
Fax: +91 22 6794 2666

**E-mail: [info@lemis-process.com](mailto:info@lemis-process.com)**