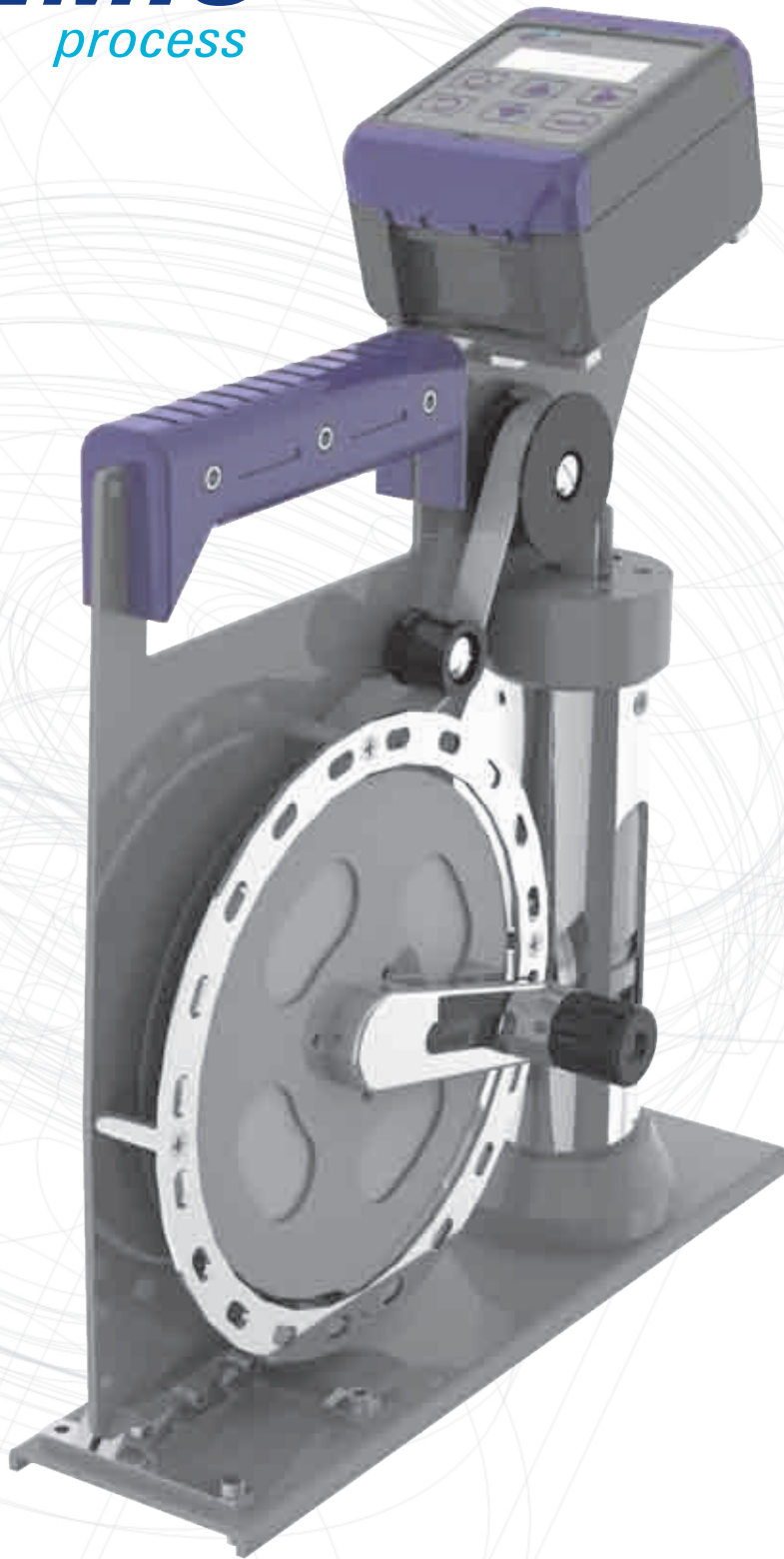




250 SERIES

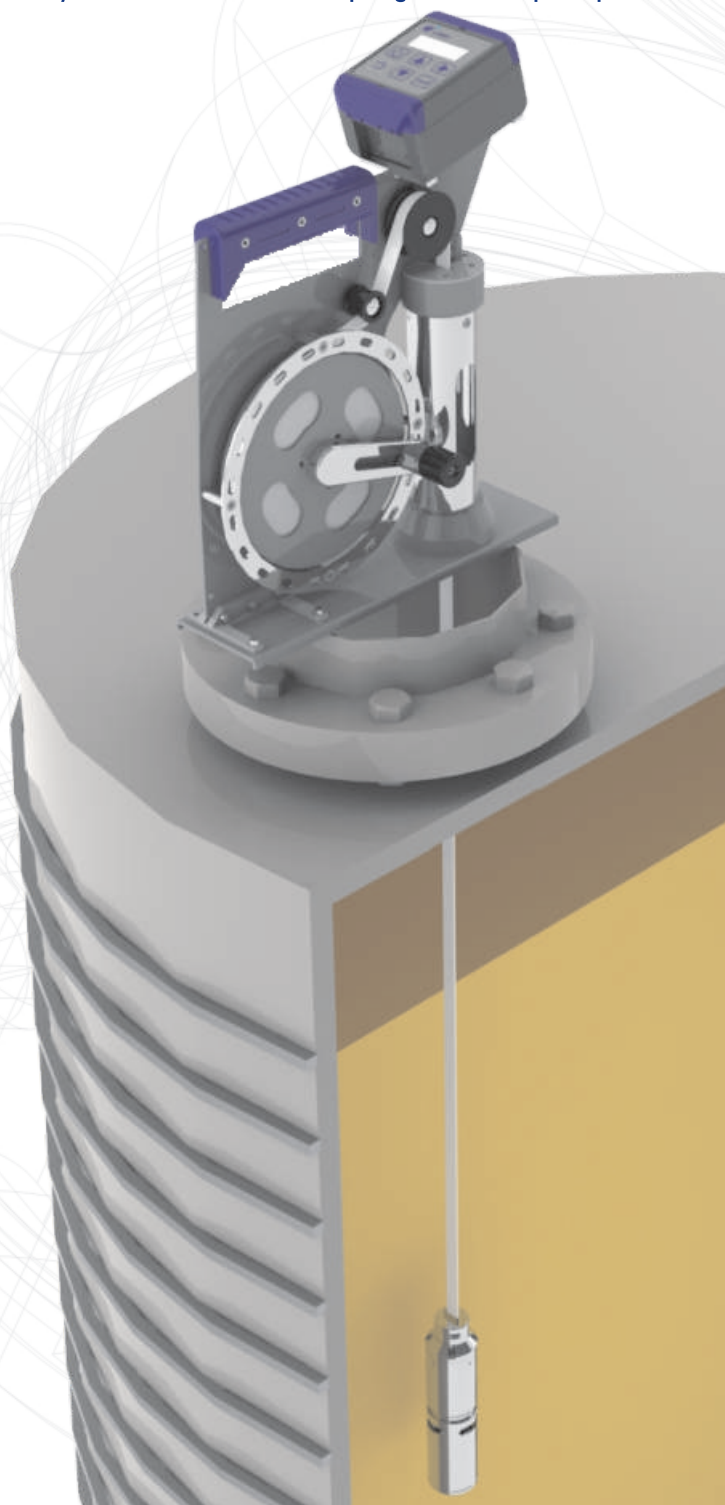


**Digital Portable Submersible
Viscosity and Density Meter**

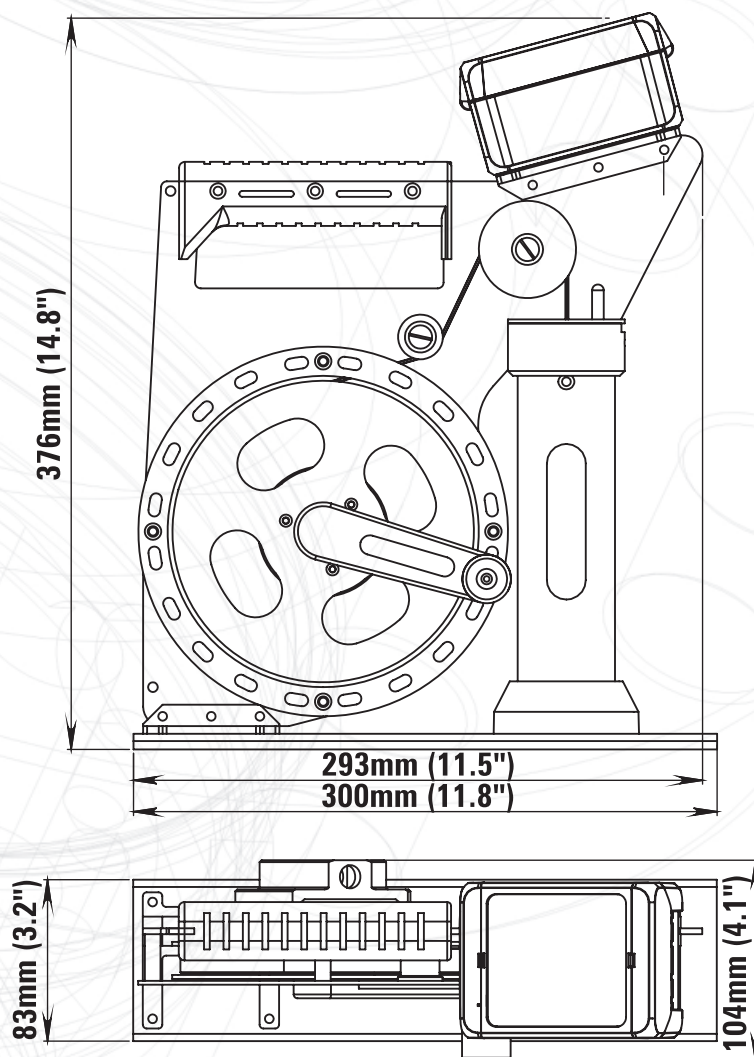
VDM-250.2N

IN PROCESS TO EXCELLENCE

The portable viscosity and density meter VDM-250.2N is designed for viscosity and density measurements of any pure liquids directly in tanks, without sampling, at the depth up to **30 meters**.



Dimensions



Applications

- Products consistency and adulteration check
- Density, viscosity and level control at outlets and delivery points
- Level gauge calibration
- In-tank blending and mixing control
- Molasses Density & Viscosity control in ethanol production
- Food, milk and dairy products
- % alcohol check in beverage industry
- Petroleum products, fuels, lubricants

Advantages

- Direct density and viscosity measurement
- Density, reference density, specific gravity, API
- Automatic temperature compensation
- No sampling required
- ATEX, IEC Hazloc certification
- Safe operation, low maintenance
- At any depths up to 30 meters
- Record level, density and viscosity; average per tank
- Rigid construction for heavy duty outdoor operation
- Local results storage and Bluetooth data transfer



VDM-250.2N OVERVIEW

OLED display
working temp -40°C

Device controller with
Built-in Bluetooth

Tape cleaning
device

Stopper for
tape fixing

Graduated
Meter or feet tape

Temperature Sensor

Vibrating Level Viscosity
and Density Sensor

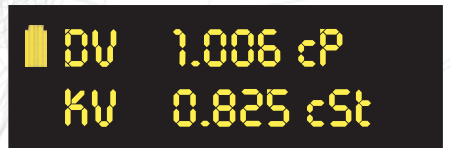
For Easy Distinguish:



Displays Density and Temperature



Displays Dynamic and Kinematic Viscosity



Displays Level



Displays Specific Gravity related to 60°F



Principle:

Detection of Density, Viscosity and Ullage

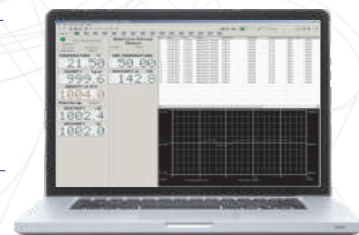
The detection method is based upon the principle of detecting a change in resonance frequency.

Temperature Measurement

Temperature measurement is obtained by changes in electrical resistance of a platinum element.

Specifications

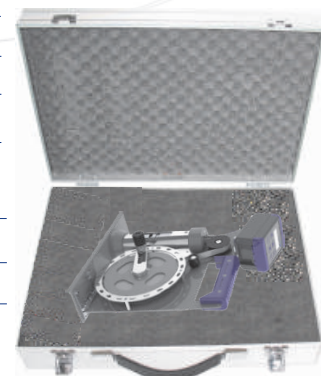
Measuring range:	
Density	0... 3 g/cm ³ (0... 3000 kg/m ³)
Dynamic Viscosity	Up to 10000 mPa·s(cP)
Temperature	-40... +85°C (-40... +185°F)
Accuracy:	
Density	±0.0003 or ±0.0005 g/cm ³ (±0.3 or ±0.5 kg/m ³)
Dynamic Viscosity	±1% of span
Temperature	±0.1°C (±0.2°F) or ±0.2°C (±0.4°F)
Repeatability:	
Density	±0.00015 or ±0.00025 g/cm ³ (±0.15 or ±0.25 kg/m ³)
Dynamic Viscosity	±0,5% of span
Temperature	±0.1°C (±0.2°F)
Supported measuring units	Real Density: g/cm ³ , kg/m ³ , lb/gal, lb/ft ³ ; API; SG Dynamic Viscosity: mPa·s, cP Kinematic Viscosity: mm ² /s, cSt Tables ASTM D 1250 Alcohol Tables Referred Density: at 15°C, 20°C, 60°F; API60; SG60 Temperature in °C or °F
Ambient temperature	-40... +85°C (-40... +185°F)
Depth of submersion	Up to 30 meters (100 ft.)
Sensor:	
Type	Vibrating element (Resonance principle)
Material	Stainless steel SS 316 L; NiSpan C; Hastelloy C22
Weather rating	IP68
Intrinsically safe:	
Level block with sensor	ATEX II 1G EEx ia IIB T4
Charging device	USB with IP68 protected connector
Power supply	NiMH 3.6V-1500mAh
Operating time without charging	Appr. 12 hours
Dimensions, weight:	
Level block with sensor	376 x 300 x 104 mm (14.8 x 11.8 x 4.1 in), 3 kg (6.6 lb)
Temperature compensation	Automatic
Viscosity compensation	Automatic
Reporting formats	Dynamic viscosity in mPa·s or cP; temperature in °C or °F
Data handling	OLED Display (2x12) with backlight Local memory up to 2000 results with date/time stamped Build in Bluetooth and USB for data transfer to printer or PC Optional Windows - based software
Delivery	Delivered in compact carrying case



Multifunctional software allows to proceed the measurements results in use-convenient form;
Compatible for a Windows 7/8/10*



Immediate printout of the measurements by Bluetooth
No need for PC*



Delivered in compact carrying case

For more information please visit www.lemis-process.com



USA
LEMIS USA, Inc.
15556 Summit Park Dr. Suite 601
Montgomery
TX 77356, USA
Ph.: +1 281 465 8441

EUROPE
AS LEMIS Baltic
26 Ganību dambis
Rīga, LV-1005
Latvia, EU
Ph.: +371 6738 3223
Fax: +371 6738 3270

INDIA
LEMIS India PVT LTD
504, Bhumiraj Costarica, 5th floor
Plot 1&2, Sector 18, Sanpada
Navi Mumbai-400705, INDIA
Ph.: +91 22 6721 5655
Fax: +91 22 6794 2666

E-mail: info@lemis-process.com