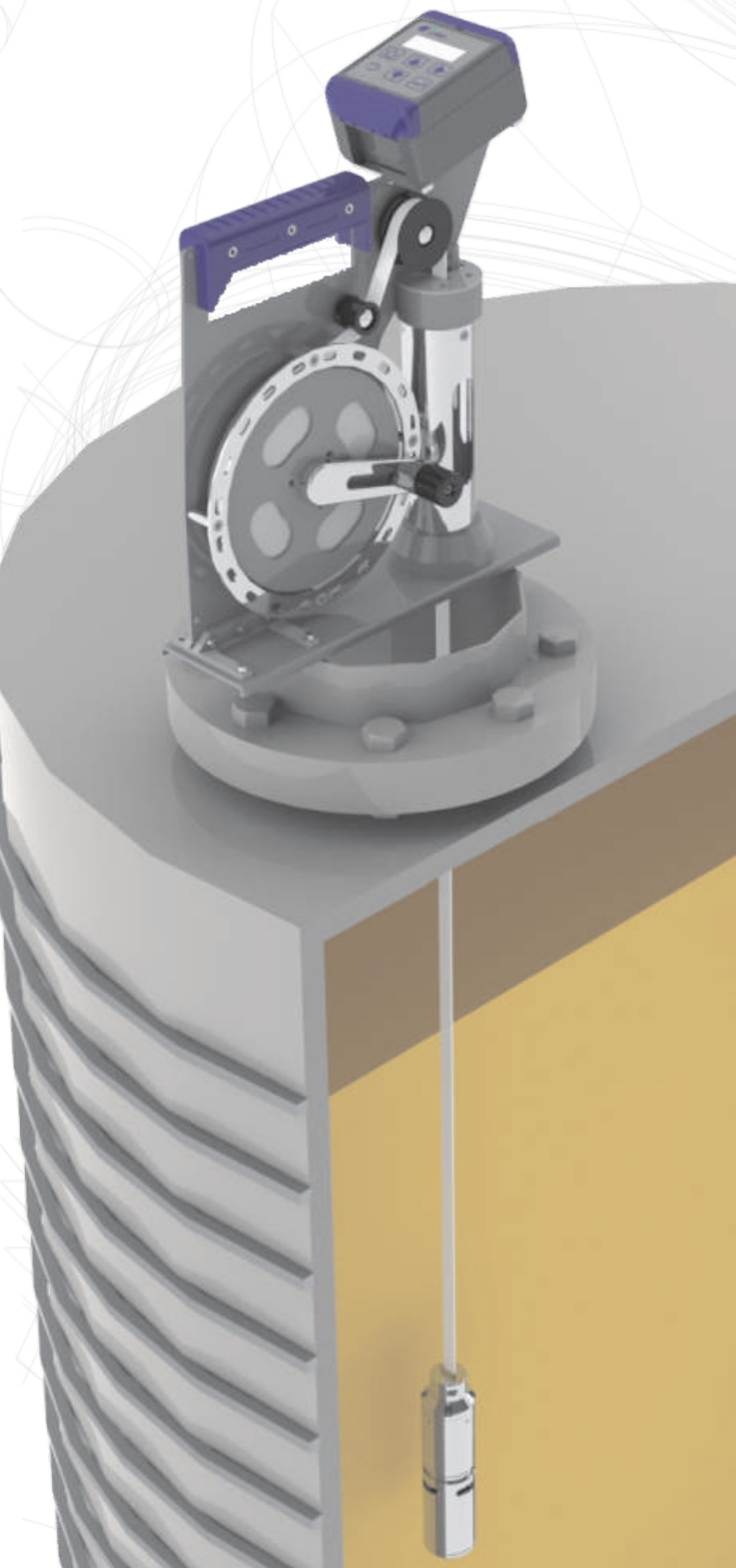


**Digital Portable Submersible  
Viscosity Meter**

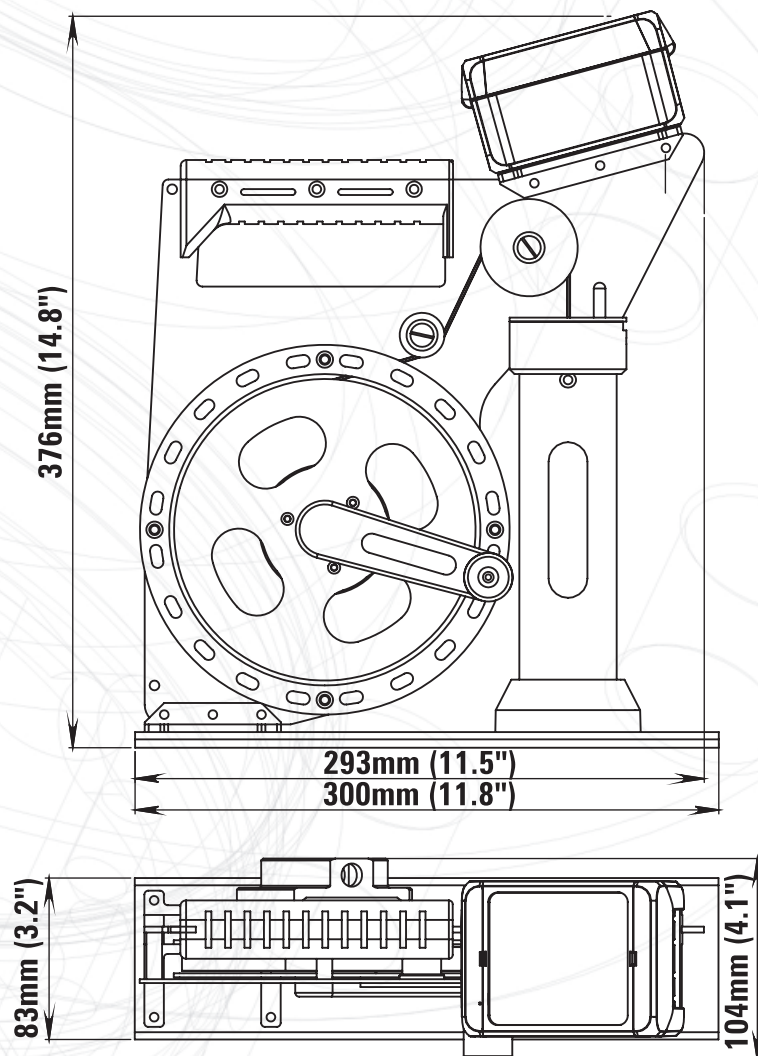
**VM-250.2N**

**IN PROCESS TO EXCELLENCE**

The portable viscosity meter VM-250.2N is designed for viscosity measurements of any pure liquids directly in tanks, without sampling, at the depth up to **30 meters**.



## Dimensions



## Advantages

- Direct viscosity measurement
- Record level viscosity and average per tank
- Automatic temperature compensation
- No sampling required
- ATEX, IEC, Hazloc certification
- Safe operation, low maintenance
- At any depths up to 30 meters
- Economical and easy to operate
- Rigid construction for heavy duty outdoor operation
- Local results storage and Bluetooth and USB data transfer

## Applications

- Petroleum industry
- Ethanol production
- Food & Beverages
- Chemical industry
- Cosmetic industries
- Pharmaceutical industry



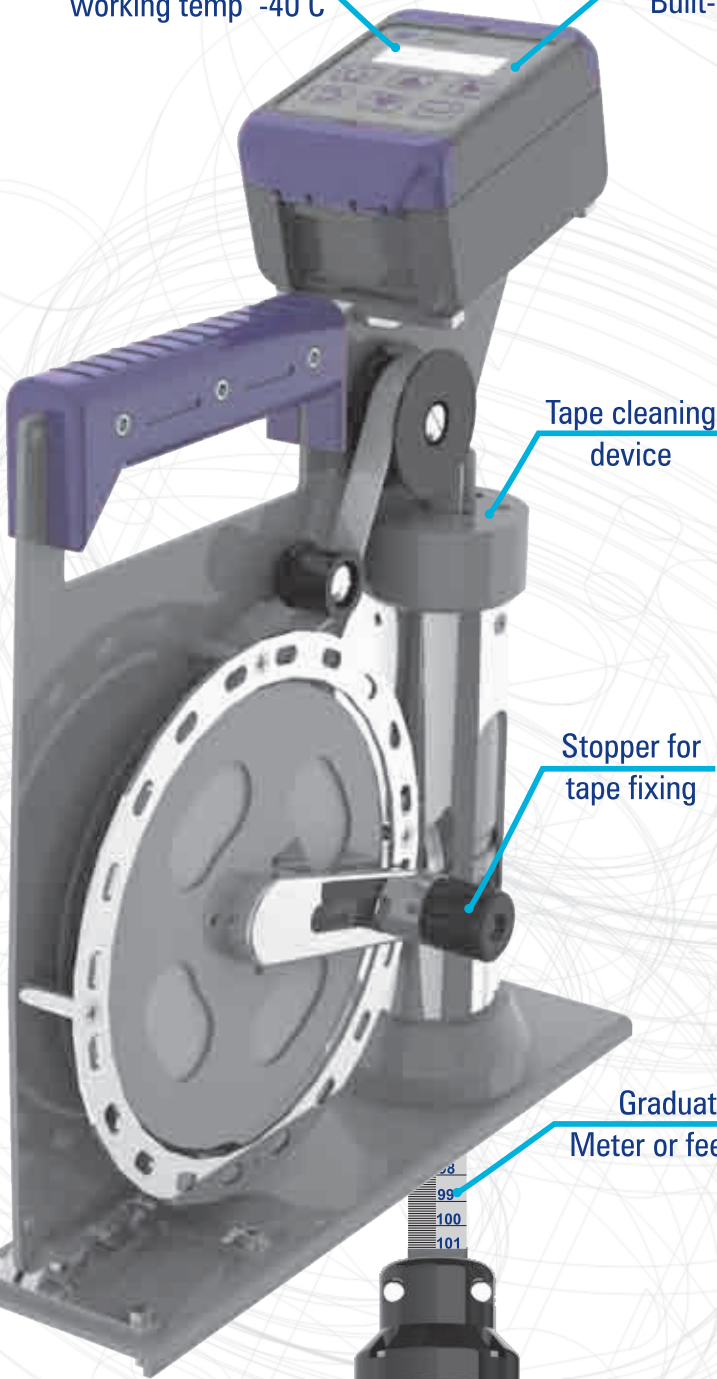


# VM-250.2N OVERVIEW

OLED display  
working temp -40°C

Device controller with  
Built-in Bluetooth

For Easy Distinguish:



Tape cleaning  
device

Stopper for  
tape fixing

Graduated  
Meter or feet tape



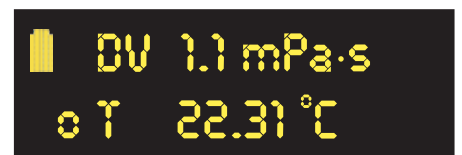
Displays Viscosity and Temperature



Displays Level



Displays Different Viscosity units



Displays Date of measurement



Temperature Sensor

Vibrating Level and  
Viscosity Sensor



## Principle:

### Detection of Viscosity and Ullage

The detection method is based upon the principle of detecting a change in resonance frequency.

### Temperature Measurement

Temperature measurement is obtained by changes in electrical resistance of a platinum element.

# Specifications

## Measuring range:

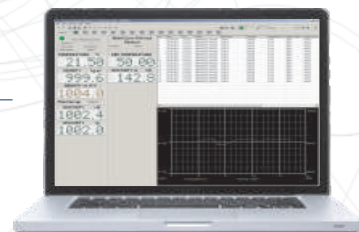
Dynamic Viscosity	Up to 10000 mPa·s (cP)
Viscosity calibration	0,1-100 mPa·s (cP) 1-1000 mPa·s (cP) 10-10000 mPa·s (cP)
Temperature	-40... +85°C (-40... +185 °F)

## Accuracy:

Dynamic Viscosity	±1% of span
Temperature	±0.1°C (±0.2°F) or ±0.2°C (±0.4°F)

## Repeatability:

Dynamic Viscosity	±0,5% of span
Temperature	±0.1°C (±0.2°F)



Multifunctional software allows to proceed the measurements results in use-convenient form;  
Compatible for a Windows 7/8/10\*

Ambient temperature -40... +85°C (-40... +185°F)

Depth of submersion Up to 30 meters (100 ft.)

## Sensor:

Type	Vibrating element (Resonance principle)
Material	Stainless steel SS 316 L; NiSpan C; Hastelloy C22

Weather rating IP68

## Intrinsically safe:

Level block with sensor ATEX II 1G EEx ia IIB T4



Immediate printout of the measurements by Bluetooth  
No need for PC\*

Charging device USB with IP68 protected connector

Power supply NiMH 3.6V-2500 mAh rechargeable battery

Operating time without charging Appr. 12 hours

## Dimensions, weight:

Level block with sensor 376 x 300 x 104 mm (14.8 x 11.8 x 4.1 in), 3 kg (6.6 lb)

Temperature compensation Automatic

Viscosity compensation Automatic

Reporting formats Dynamic viscosity in mPa·s or cP; temperature in °C or °F

Data handling  
OLED Display (2x12) with backlight  
Local memory up to 2000 results with date/time stamped  
Build in Bluetooth and USB for data transfer to printer or PC  
Optional Windows - based software

Delivery Delivered in compact carrying case



Delivered in compact carrying case

\* Option

**For more information please visit [www.lemis-process.com](http://www.lemis-process.com)**



**USA**  
**LEMIS USA, Inc.**  
15556 Summit Park Dr. Suite 601  
Montgomery  
TX 77356, USA  
Ph.: +1 281 465 8441

**EUROPE**  
**AS LEMIS Baltic**  
26 Ganību dambis  
Rīga, LV-1005  
Latvia, EU  
Ph.: +371 6738 3223  
Fax: +371 6738 3270

**INDIA**  
**LEMIS India PVT LTD**  
504, Bhumiraj Costarica, 5th floor  
Plot 1&2, Sector 18, Sanpada  
Navi Mumbai-400705, INDIA  
Ph.: +91 22 6721 5655  
Fax: +91 22 6794 2666

**E-mail: [info@lemis-process.com](mailto:info@lemis-process.com)**